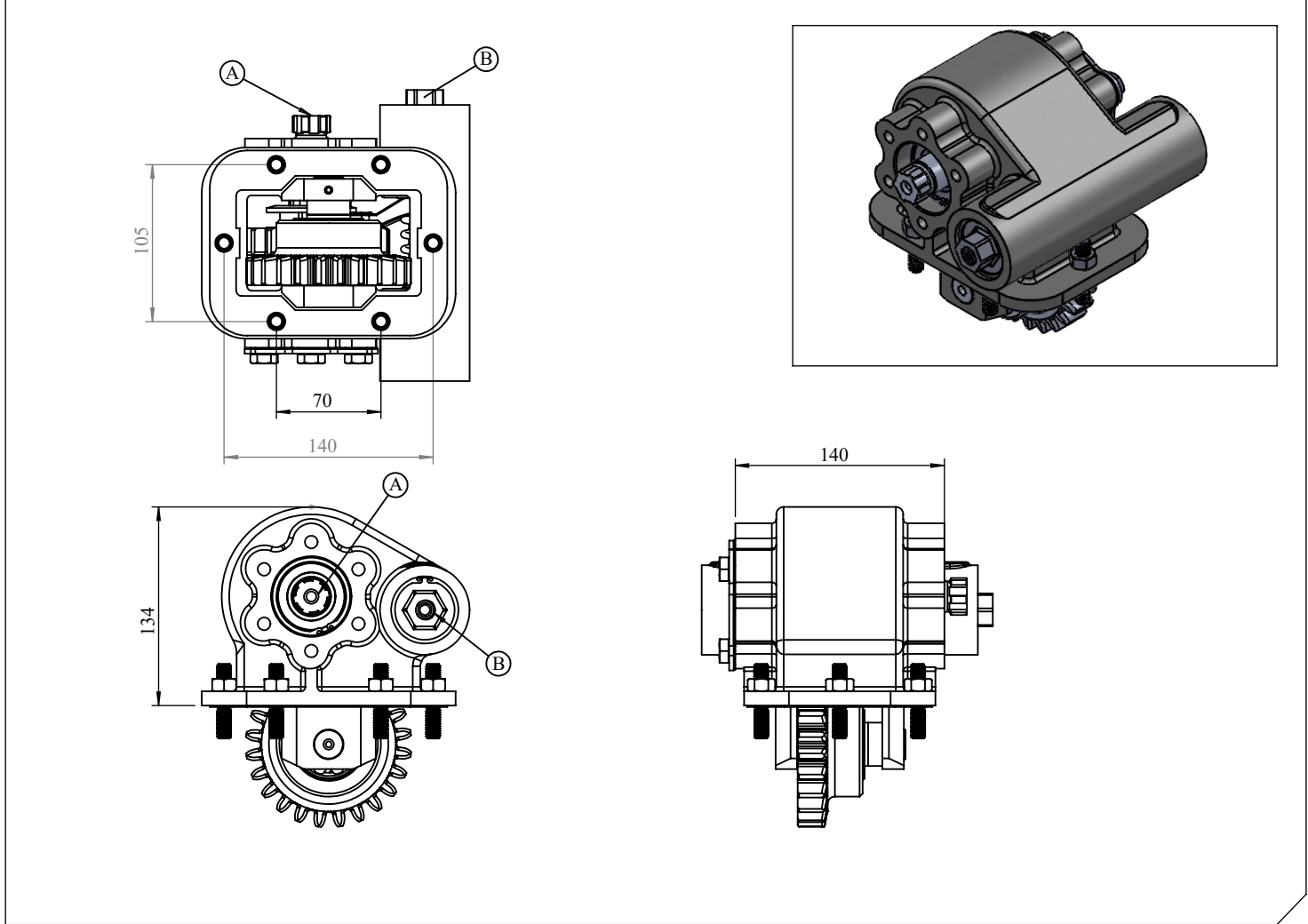


Vehicle Type	URAL 4X4 / 6X6
Gearbox Type	AM 323617010156

Product Code	UR.15.236.KF
Revision No- Date	



Products Views



Component Details

A : PTO Output (Standard DIN 5463 6X21X25 UNI 3 Bolt)
 Direct mounting ISO 4 bolt mtg. adapter
 Drive flange
 B : Air Inlet R 1/4"

Technical Details

Power	Maximum Torque		Input/Output	Mounting Side	Control Type
	kW	Nm			
32	305,5	31	1/0,95	Left	Pneumatic
				Weight	Sense of Rotation
				21 kg	Opposite of Input